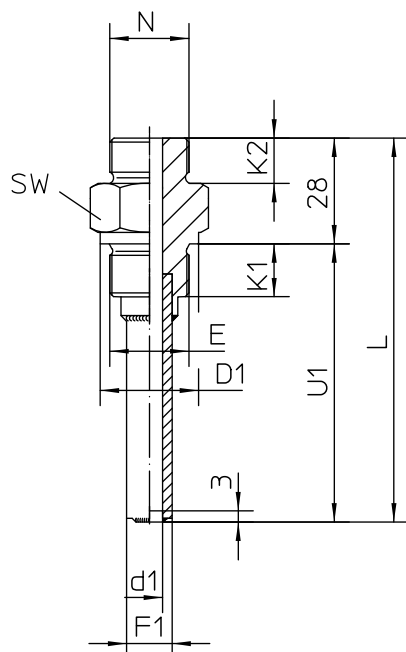


Thermowell screw-in type per DIN 43772

form 8, welded, male thread

Type series HA8030



Materials

	material-no.	T max.	P max.*
stainless steel	1.4571	550°C	25 bar

* static conditions of use

Other materials upon request.

The thermowells are available with material certificate per DIN EN 10204-3.1 and are suitable for connection to Zone 0 according to the technical instruction TA_033.

Upon request a calculation for thermowells can be made (for static or dynamic application) with certificate.

Length L1 of the temperature detecting element (dial indicating thermometers)

$$L1 = U1 + A$$

DIN-lengths of the thermowells

(pls specify deviating lengths)

L mm	U1 mm
101	73
138	110
198	170
288	260
438	410

Order details

Thermowell screw-in type per DIN 43772, form 8, welded, male thread, Type series HA8030

Order code HA8030										
HA8030 Screw in thermowell per DIN 43772 for thermometers with male thread										
		screw in thread E	instrument screw threads N	bore hole Ø d1	pipe Ø F1	D1	K1	H1	SW	A
A10	thermowell form 8	G 1/2 B	G 1/2 B	7	9	26	14	12	27	16
A11				7	12					
A13				9	14					
A14				11	14					
A30		G 3/4 B	G 3/4 B	7	12	26	16	14	32	20
A31				9	14					
A32				11	14					
A33				13	16					
A34				14	18					
A99		pls specify								
G10		material	stainless steel 1.4571 (standard)							
G99			pls specify							

additional features (to be indicated in case of need, only):	
W1220	combined pressure and leak test (pls specify test pressure)
W1020	material certificate per DIN EN 10204 -3.1
W2502	suitable for connection to Zone 0 acc. to TA_033

Order code (example): HA8030 - A11 - G10 - W1220 - U1=...

(length L and U pls specify in mm; min. 80, max. 2000 mm, support long thermowells to avoid stresses due to vibrations)