

Precision pressure gauge for diaphragm seal operation Type series BH62..



Application area

- Food industry
- Pharmaceutical industry
- Biotechnology

Features

- High quality case with bajonet ring NS 100
- Nominal range 0...4 to 0...400 bar, -1...3 to -1...15 bar
- Conical spring precision element of Inconel X-750
- Case of stainless steel
- Degree of protection IP 65
- Accuracy class 0.6 as per EN 837-1
- Low temperature error
- Operating temperature up to 140 °C
- No parts subject to wear and tear, thus very long service life
- Maintenance free
- High overload protection up to 150 %
- Wetted parts of stainless steel; special materials upon request

Options

- Approvals/Certificates
 - Certificate of measuring equipment for Russian Federation
 - Material certificate per EN 10204
 - Calibration certificate per EN 10204
- Various process connections with flush mounted diaphragms available
- EAC declaration (upon request)

Application

The precision pressure gauge with miniature process connection is suitable for the use in applications in the pharmaceutical and biotechnology industry. The device can be fitted to a range of process connections with flush-mounted diaphragms, which allow easy installation even to small constructions and small nominal pipe sizes.

Technical data

Constructional design / case

| | |
|------------------------------------|---|
| Design: | High quality case with bayonet ring, material: st. steel mat.-no. 1.4301 (304) ventilation valve, material: PUR |
| Nominal size: | NS 100 |
| Degree of protection per EN 60529: | IP 65 |
| Case seal: | Material gasket: NBR |
| Window: | Non-splintering laminated glass. Option: Non-splintering plastic (Macrolon) |
| Measuring element: | Precision measuring element, material: Inconel X-750 |
| System filling: | Food stuff oil FD1 Temperature range: 10...140°C for absolute pressure > 1 bar |
| Movement: | Stainless steel segment |
| Scale: | Pure aluminium, white with black inscription, precision scale class 0.6; special scale upon request |
| Pointer: | Pure aluminium, black, knife edge pointer with micro adjustment for zero point correction |
| Weight: | NS 100: approx. 0.7 kg |

Process connection

| | |
|---------|---|
| Design: | Via diaphragm seal technology, see order details and product group D5 |
|---------|---|

Nominal range

See order details, further ranges upon request

| | |
|----------------------|----------|
| Overload protection: | 1.5times |
|----------------------|----------|

Accuracy

| | |
|------------------------|---|
| Accuracy class: | 0.6 per EN 837-1 |
| Temperature influence: | Temperature error (diaphragm seal system) |
| | Screw-in thread G1/2 A 6 mbar / 10 K |
| | Screw-in thread G3/4 A 4 mbar / 10 K |
| | TriClamp 3/4" 8 mbar / 10 K |
| | TriClamp 1" 6 mbar / 10 K |
| | Clamp ISO 2852 1" 6 mbar / 10 K |
| | Clamp DIN 32676 DN 25 6 mbar / 10 K |
| | Neumo BioControl Gr. 25 3 mbar / 10 K |
| | A detailed calculation of accuracy can be submitted upon request. |

Temperature ranges

| | |
|----------|------------|
| Ambient: | 10...50°C |
| Media: | 10...140°C |
| Storage: | -40...70°C |

The maximum values can be restricted by the following parameters:

- Diaphragm size
- Measuring range
- Pressure transmission fluid

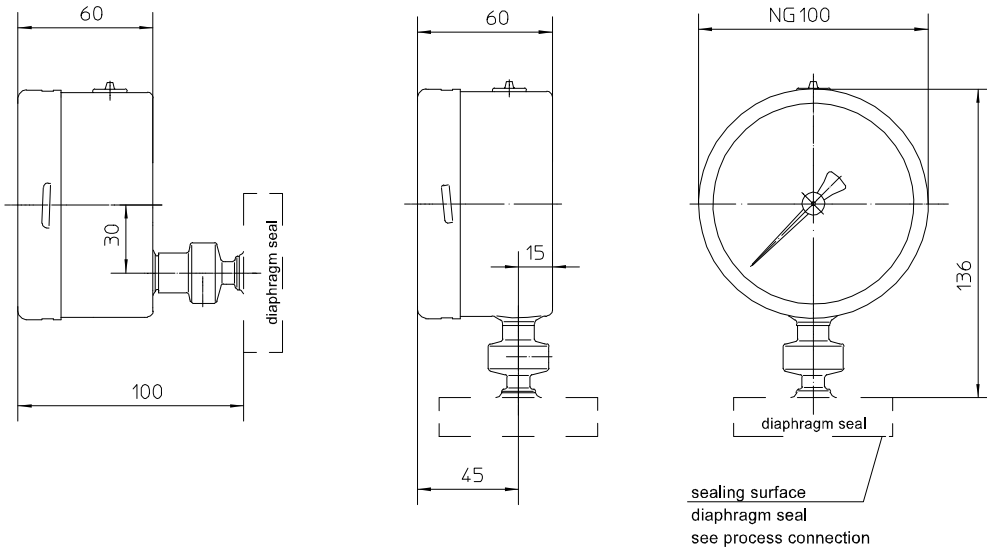
Extended temperature range upon request.

Tests and certificates

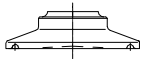
- EAC declaration (upon request)
- Certificate of measuring equipment for Russian Federation

Information on other models see order details or upon request.

Dimensions



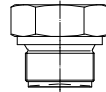
process connection
diaphragm seal



clamp connection
data sheet D5-026



Neumo BioControl Gr.25
data sheet D5-024-2



connection per DIN 3852
data sheet D5-032

Order details

Precision pressure gauges for diaphragm seal operation

Type series BH62..

Order details BH62..

| | | | |
|---------------|-------------|-------|----------------------------|
| BH6200 | case design | IP 65 | process connection bottom |
| BH6210 | NS 100 | | process connection at back |

| | | |
|------------|---------------------|---------|
| A56 | nominal range [bar] | 0...4 |
| A57 | | 0...6 |
| A58 | | 0...10 |
| A59 | | 0...16 |
| A61 | | 0...40 |
| A62 | | 0...60 |
| A63 | | 0...100 |
| A64 | | 0...160 |
| A65 | | 0...250 |
| A66 | | 0...400 |
| A89 | | -1...3 |
| A90 | | -1...5 |
| A91 | | -1...9 |
| A92 | | -1...15 |

| | |
|-------------|---|
| D... | Process connection via diaphragm seal technology (see product group D5) |
|-------------|---|

Additional features (to be indicated if required)

| | | |
|--------------|---|--|
| T2 | marking | on scale (please specify) |
| T3 | | fixed reference pointer (please specify) |
| W1020 | material certificate | per EN 10204-3.1, wetted parts |
| W1204 | calibration certificate | per EN 10204-3.1, 3 measuring points |
| W1201 | | per EN 10204-3.1, 5 measuring points |
| W2673 | certificate of measuring equipment for Russian Federation | |

Order code (example): **BH6200 – A92 - ...**