

Diaphragm seal made of plastic Type series DD8040



Application area

- Wastewater technology
- Semiconductor industry
- Electroplating technology
- Chemical plant engineering

Features

- Compact design made of plastic
- No metal parts
- EPDM diaphragm, wetted parts coated with PTFE
- Various process and device connections
- Certificates

Application

The diaphragm seal is suitable for mounting to bourdon tube pressure gauges and pressure transmitters. It is used for the measurement of neutral and aggressive fluids free of solid particles.

Technical data

Constructional design

Body material: All-plastic

Upper section made of:

- PP (polypropylene), glass fibre reinforced, colour orange (RAL 2004)

Lower section made of:

- PVC-U (polyvinylchloride), colour grey (RAL 7011)
- PP (polypropylene), colour grey-beige (RAL 7032)
- PVDF (polyvinylidenflouride), colour opaque, yellowish-white

Nominal pressure: PN 10 (water 20°C)

Diaphragm: Flat diaphragm

Process connection

Design:

- G 1/2" female thread (lower section)
- G 1/4" female thread

Measuring device connection

Design:

- G 1/2" female thread (upper part)
- G 1/4" female thread

System filling

See order details; further upon request.

Further details about pressure transmission fluids see general technical information TA_038.

Operating temperature

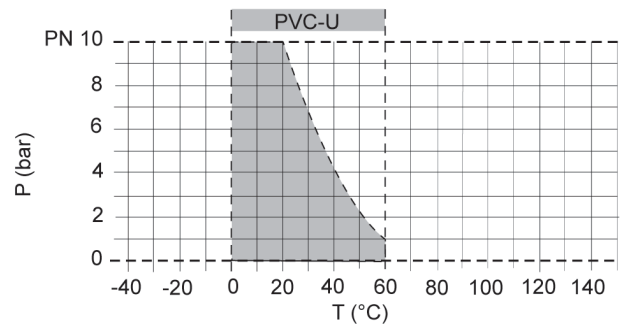
Operating temperature see following diagrams. Deviating temperatures upon request.

Temperature error

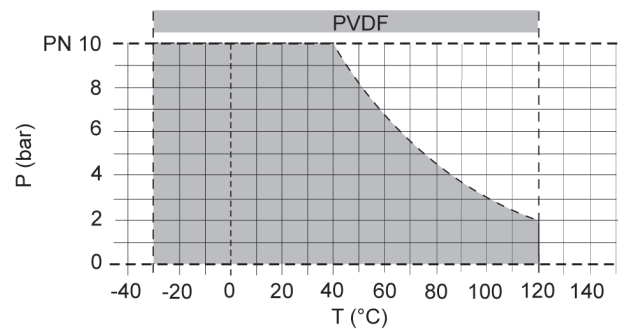
In order to optimise the system we provide a detailed error calculation upon request.

Media temperature and working pressure

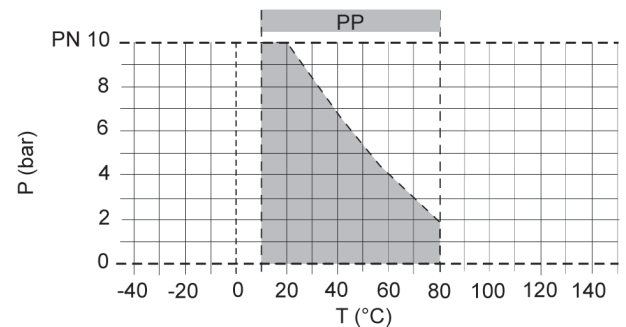
Material: PVC-U



Material: PVDF

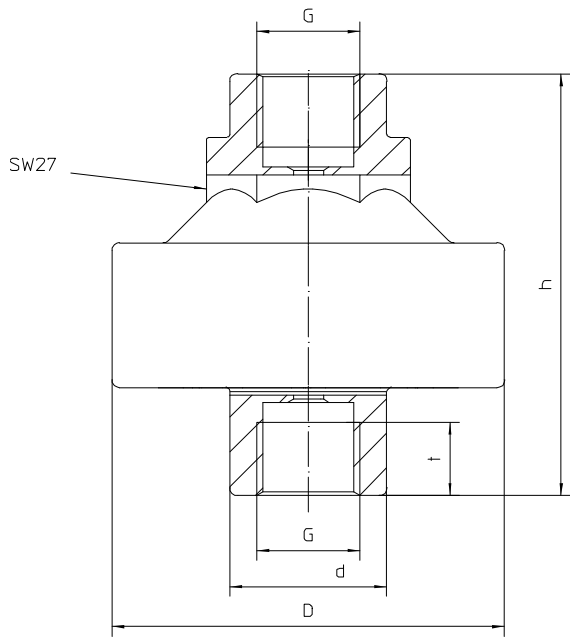


Material: PP



Further information about diaphragm seals see general technical information TA_031.

Dimensions



DN	G	D	d	t	h
20	1/4"	80	25	18	86
25	1/2"	80	32	22	86

Order details

Diaphragm seal made of plastic, Type series DD8040

Order details DD8040			
DD8040	design	diaphragm seal made of plastic	
D11	process connection	G 1/2" female thread	
D15		G 1/4" female thread	
K20	material wetted parts (lower section)	process connection	PP (polypropylene)
K21			PVC-U (polyvinylchloride)
K22		PVDF (polyvinylidenfluoride)	
G70		diaphragm	PTFE (EPDM diaphragm, PTFE coated)
A300	measuring device connection	directly screwed G1/2" female thread	
A301		directly screwed G1/4" female thread ¹	
	system filling	<u>pressure transmission fluid</u>	<u>temperature range</u> ²
L22		synthetic oil, free of silicone FD1, standard	-10...140 °C
L23		synthetic oil, free of silicone FD1, pls. specify max. temperature	-40...230 °C
L33		alcohol/water mixture FAW	-20...75 °C

order code (example): DD8040 –D11 – K20 – G70 –A300 – L22

¹ only possible with process connection G 1/4"

² for more detailed information about pressure transmission fluids see TA_038. Please state temperature range to allow an accurate calculation of the system.