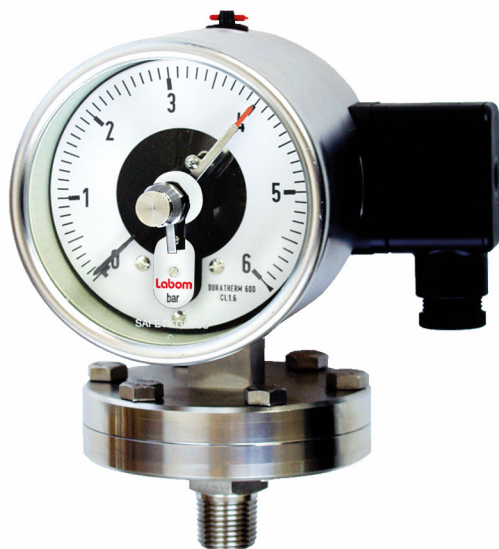


Diaphragm pressure gauge with switch contact, NS 100/160 Type series BE2...



Application area

- General process technology
- Chemical and petrochemical industry
- Machinery construction
- Shipping

Features

- Diaphragm pressure gauge with switch contact
- High quality case with bajonet ring NS 100/160 per EN 837-3 S1, alternative safety version per EN 837-1 S3
- Case and measuring flange of stainless steel, diaphragm of Duratherm
- High overload protection
- Nominal range -1...0 bar to -1...24 bar, 0...25 mbar to 0...25 bar
- Accuracy class as per DIN 16085
- Switch contactss (electrical contact devices) per DIN 16085:
 - slow acting contact
 - magnetic snap contact
 - inductive contact
 - inductive contact with integrated switching amplifier

Options

- Approvals/Certificates
 - Ex-protection (ATEX/UKEX)
 - Classification per SIL2
 - Material certificate per EN 10204-3.1
 - Calibration certificate per EN 10204-3.1
- As per UKCA regulations
- Higher overload protection
- Case with liquid filling
- Electronical angle-of-rotation sensor, Type series PL1100, see data sheet D6-020
- Extended temperature range
- Connection to Zone 0 by using the flame arrester MF21xx, see data sheet D6-025

Application

Can be used as an excess pressure gauge with switch contact for measuring liquids and gases. Because of its robust design, it is suitable for use in tough environments.

Technical data

Constructional design / case

Design:	High quality case with bajonet ring per EN 837-3 S1, material: stainless steel mat.-no. Nr. 1.4301 (304). With rear blow-out device, material: PUR, ventilation valve, material: PUR
	Alternative: Safety design with blow-out back and solid baffle wall per EN 837-1 S3, Material: Stainless steel 1.4301 (304)
Nominal size:	NS 100 or NS 160
Degree of protection per EN 60529:	<ul style="list-style-type: none"> ■ Without filling: IP 65 ■ With filling S1 case: IP 65 ■ With filling S3 case: IP 66
Case filling:	Labofin
Atmosph. pressure compensation:	Via ventilation valve.
Case seal:	Material gasket: NBR
Pressure chamber seal:	Material: NBR, optional PTFE. Further materials upon request.
Window:	Non-splintering laminated glass. Option: Non-splintering plastic (Macro-lon)
Contact lock:	Stainless steel with NBR gasket
Measuring element:	Diaphragm
Movement:	Stainless steel segment
Scale:	Pure aluminium, white with black inscription Option: with red marking Special scale upon request
Pointer:	Pure aluminium, black, with micro adjustment for zero point correction
Mounting:	Via process connection
Electronical connection:	Connection plug with cable gland M20 x 1.5 and removable test cover, material: Macro-lon
Weights :	<p>NS 100:</p> <p>flange Ø 100 without filling: approx. 2.0 kg</p> <p>flange Ø 160 without filling: approx. 3.4 kg</p> <p>flange Ø 100 with filling: approx. 2.5 kg</p> <p>flange Ø 160 with filling: approx. 3.9 kg</p> <p>NS 160:</p> <p>flange Ø 100 without filling: approx. 2.3 kg</p> <p>flange Ø 160 without filling: approx. 3.8 kg</p> <p>flange Ø 100 with filling: approx. 3.3 kg</p> <p>flange Ø 160 with filling: approx. 4.8 kg</p>

Process connection

Design:	Per EN 837-3, G1/2 B, 1/2" NPT or open measuring flange. Further process connections upon request.
---------	--

Material wetted parts

Measuring element:	Diaphragm: Duratherm (similar resistance as mat.-no. 1.4571 (316Ti), alternatively with: <ul style="list-style-type: none"> ■ PTFE foil ■ PFA coating ■ Monel foil ■ Hastelloy C 276 foil ■ Tantal foil ■ Stainless steel foil
Measuring flange:	Stainless steel mat.-no. 1.4571, alternatively with: <ul style="list-style-type: none"> ■ PTFE lining ■ PFA coating ■ PVDF <p>Further materials upon request.</p>

Nominal range

See order details, further ranges upon request

Overload protection:	Flange Ø 100: Standard: short term 5times, max. 100 bar Option: 20times, max. 100 bar Flange Ø 160: Standard: 50times
----------------------	---

Accuracy

Accuracy class:	NS 100			
	nominal range (mbar)	no. of contacts		
		1	2	3
	≥ 25	cl. 1.6	cl. 2.5	-
	≥ 60	cl. 1.6	cl. 1.6	cl. 2.5

NS 160			
nominal range (mbar)	no. of contacts		
	1	2	3
≥ 25	cl. 1.6	-	-
≥ 60	cl. 1.6	cl. 2.5	-
≥ 160	cl. 1.6	cl. 1.6	-
≥ 600	cl. 1.6	cl. 1.6	cl. 2.5

Plus effect of switch function on indication per DIN 16085.

Temperature influence: Max. ± 0.8% / 10K of measuring span per EN 837-3.

Temperature ranges

	without filling	with filling
Ambient:	-20...70 °C	-20...70 °C (60 °C) ¹
Medium:	-20...110 °C	-20...70 °C (60 °C) ¹
Storage:	-40...70 °C	-40...70 °C (-20...60 °C) ¹

Extended temperature range (optional): ²

	without filling	with filling
Ambient:	-40...100 °C	-40...80 °C (60 °C) ¹
Medium:	-40...150 °C	-40...150 °C ³

Devices with classification per SIL2:

	without filling	with filling
Ambient:	-20...60 °C	-20...60 °C (40 °C) ¹
Medium:	-20...60 °C	-20...60 °C (40 °C) ¹

¹ Safety case S3 (IP 66)

² Inductive safety initiator necessary

³ Limitation: nominal range ≤ 1 bar up to 110 °C

Tests and certificates

Ex-protection: Magnetic snap contact:
Simple electrical apparatus per EN 60079-11 suitable for intrinsically safe circuits Ex IIC TX.

Inductive contact:
Contact device suitable for intrinsically safe circuits

⊕ II 2G Ex ia IIC T4/T5/T6 Gb

ATEX ■ PTB 99 ATEX 2219X
■ PTB 00 ATEX 2049X

UKEX: ■ CML 21UKEX2893X
■ CML 21UKEX2977X

Ex-protection (ATEX/UKEX) for mechanical devices:

⊕ II 2G Ex h IIC T1...T6 Gb X

⊕ II 2D Ex h IIIC Txx°C Db X

Further details see operation instruction BA_037 and Ex Instructions XA_005, XA_013 and XA_021.

SIL 2: Functional safety per EN 61508, classification per SIL 2

For devices with inductive contact only (Typ N1, N2 and N4).

Switch contacts

Slow acting contact: Type L2

- max. 3 touch contacts
- Contact load: 10 W / 18 VA
- Switching up to 230 V DC
- Available with separate circuit (Type M2)

Magnetic snap contact: Type L4

- max. 3 touch contacts
- Contact load: 30 W / 50 VA
- Switching up to 230 V DC
- Available with separate circuit (Type M4)

Inductive contact: Type N4

- (standard)
- max. 3 contacts, contactless
 - Control unit required

Inductive contact: Type N1

- (SN)
- Safety initiator
 - max. 3 contacts, contactless
 - Control unit required

Inductive contact inverse: Type N2

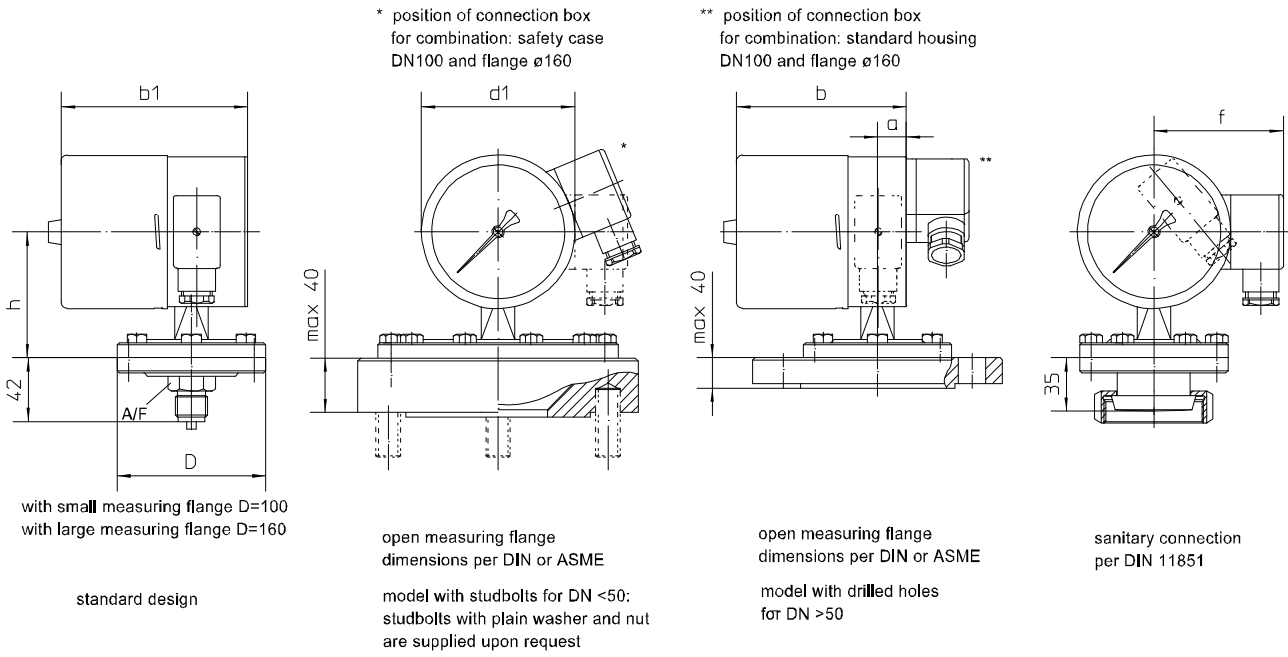
- (S1N)
- Safety initiator, inverse switching
 - max. 2 contacts, contactless
 - Control unit required

Inductive contact with integrated amplifier: Type N6

- max. 2 contacts, contactless
- 100 mA
- 3-wire technology, suitable for direct activation at a PLC

Further information see operating instruction BA_037 and Technical Information TA_039.

Dimensions



All dimensions are in millimeters

Dimensions (mm)							
				IP 65		IP 66	
case	f	d1	a	b	a1	b1	h
NS 100	89	100	19	112	37	124	83
NS 160	119	160	19	114	47	136	113

Order details

Diaphragm pressure gauge with switch contact NS 100/160, Type series BE2 . . .

Order details BE2..					
BE220 .	case design	NS 100	IP 65 without liquid filling		
BE222 .			IP 65 with liquid filling		
BE230 .		NS 160	IP 65 without liquid filling		
BE232 .			IP 65 with liquid filling		
BE250.		NS 100 acc. to EN 837-1 S3	IP 65 without liquid filling		
BE254.			IP 66 with liquid filling		
BE260.		NS 160 acc. to EN 837-1 S3	IP 65 without liquid filling		
BE264.			IP 66 with liquid filling		
0	design	standard			
1		Ex-protection			
A1011	nominal range	measuring flange Ø 100 mm	0...400 mbar		
A1052			0...0.6 bar		
A1053			0...1 bar		
A1054			0...1.6 bar		
A1055			0...2.5 bar		
A1056			0...4 bar		
A1057			0...6 bar		
A1058			0...10 bar		
A1059			0...16 bar		
A1060			0...25 bar		
A1028			-400...0 mbar		
A1085			-0.6...0 bar		
A1086			-1...0 bar		
A1087			-1...0.6 bar		
A1088			-1...1.5 bar		
A1089			-1...3 bar		
A1090			-1...5 bar		
A1091			-1...9 bar		
A1092		-1...15 bar			
A1093		-1...24 bar			
A1005		measuring flange Ø 160 mm	0...25 mbar		
A1006			0...40 mbar		
A1007			0...60 mbar		
A1008			0...100 mbar		
A1009			0...160 mbar		
A1010			0...250 mbar		
A1022			-25...0 mbar		
A1023			-40...0 mbar		
A1024			-60...0 mbar		
A1025			-100...0 mbar		
A1026			-160...0 mbar		
A1027			-250...0 mbar		
D10011			process connection	screwed connection	G 1/2 B, material 1.4571 (316Ti)
D10021					G 1/2 B, material 1.4571 (316Ti), with 12 mm drilling
D10012	G 1/2 B, Material 1.4571 (316Ti), PTFE coating ¹				
D10017	G 1/2 B, PVDF (PN to max. 16 bar)				
D10201	1/2" NPT, material 1.4571 (316Ti)				
D20101	DN 25, for studbolts				
D20102	DN 25, for studbolts, with PTFE liner ¹				
D20131	DN 50, for meas. ranges ≤ 250 mbar for studbolts				
D20132	DN 50, for meas. ranges ≥ 400 mbar with drilled hole				
	DN 50, with PTFE liner, for meas. ranges ≤ 250 mbar for studbolts ¹				
		open meas. flange PN10...40 mat. 1.4571 (316Ti) sealing surface DIN EN 1092-1 model B1 (DIN 2526 Form C)		DN 50, with PTFE liner, for meas. ranges ≥ 400 mbar for studbolts ¹	

	switch contacts	type of contact	number
L4 . 00	touch contact	magnetic snap contact	single contact
L4 . . 0			double contact
L4 . . .			triple contact
L2 . 00		slow acting contact ²	single contact
L2 . . 0			double contact
L2 . . .			triple contact
M4 . . 0		magnetic snap contact, separated circuits	double contact
M4 . . .			triple contact
M2 . . 0		slow acting contact ² separated circuits	double contact
M2 . . .			triple contact
N4 . 00	Inductive contact	standard initiator (N)	single contact
N4 . . 0			double contact
N4 . . .			triple contact
N1 . 00		safety initiator (SN)	single contact
N1 . . 0			double contact
N1 . . .			triple contact
N2 . 00		safety initiator invers (S1N)	single contact
N2 . . 0			double contact
N6 . 00		Inductive contact with integrated switching amplifier, 3-wire technology PNP ²	single contact
N6 . . 0			double contact
...	switch function - per contact, replace point with number		
1	switch	rising measured value closes contact	
2		rising measured value opens contact	
4		falling measured value closes contact	
5		falling measured value opens contact	
3		change-over element ³	rising measured value switches
6		falling measured value switches	

Example of order code switch contacts N4120:

Double inductive contact with initiator → type of contact = N4

1. Inductive contact closes on rising measured value → code number 1
2. Inductive contact opens on rising measured value → code number 2
3. Inductive contact not be used → code number 0

Additional features (to be indicated if required)		
H102	gasket	pressure chamber seal, gasket PTFE
H112		PFA red lining, gasket PTFE
H132	diaphragm lining / resp. protective foil	Monel foil from ≥ 4 bar, gasket PTFE ⁴
H142		Hastelloy C276 protective foil from ≥ 4 bar, gasket PTFE ³
H162		Tantalum protective foil from ≥ 4 bar, gasket PTFE ⁴
PL1100-	output signal	4...20 mA (20...4 mA) with electr. angle-of-rotation sensor (see D6-020)
T2	marking	on scale (please specify)
W1020	material certificate	per EN 10204-3.1, wetted parts
W1204	calibration certificate	per EN 10204-3.1, 3 measuring points
W1201		per EN 10204-3.1, 5 measuring points
W2603	functional safety per EN 61508, classification per SIL 2 ⁵	
W2660	as per UKCA regulations	
W4010	overload protected	20times (meas. range ≥ 100 bar), short term, for measuring flange 100 mm
W4090	extended temperature range	

Order code (example): BE2641 – A1056 – D10011 – N4120 - ...

¹ PN up to max. 25 bar

² not for devices with Ex-protection

³ possible with touch contacts only (slow acting contact or magnetic snap contact)

⁴ for nominal range ≥ 1 bar, vacuum max. -500 mbar at 10 to 30 °C

⁵ for devices with inductive contact only