

Bourdon tube pressure gauge per EN 837-1

stainless steel industrial design, NS 100

Type series BA52..



Application area

- Machinery construction
- Chemical and petrochemical industry
- General process technology

Features

- Bourdon tube pressure gauge industrial design
- Nominal ranges -0.6...0 bar to -1...24 bar, 0...0.6 to 0...1000 bar
- High quality case with bajonet ring NS 100 per EN 837-1 S1
- Case and measuring element of stainless steel
- Degree of protection IP 65
- Accuracy class 1.0 as per EN 837-1

Options

- Approvals/Certificates
 - Calibration certificate as per EN 10204
- As per UKCA regulations
- Case with liquid filling
- Electrical contact device, see data sheet D3-025 (depending on design)
- Mounting: front flange for flush mounting

Application

The bourdon tube pressure gauge is suitable for use in various industries. High quality stainless steel design for measuring gaseous, liquid and aggressive media. Designed according to safety standards per EN 837-1.

Technical data

Constructional design / case

Design:	High quality case with bajonet ring per EN 837-1 S1, material: stainless steel mat.-no. 1.4301 (304) ; blow-out device, material: PUR, ventilation valve, material: PUR	
Nominal size:	NS 100	
Degree of protection per EN 60529:	■ without filling: IP 65 ■ with filling: IP 65	
Case filling:	Option: Glycerine-water Further liquid fillings upon request.	
Atmosph. pressure compensation:	Via ventilation valve.	
Case seal:	Material gasket: NBR	
Window:	Non-splintering laminated glass. Option: Non-splintering plastic (Macro-lon)	
Measuring element:	Bourdon tube < 60 bar: c-type ≥ 60 bar: spiral	
Movement:	Stainless steel segment	
Scale:	Pure aluminium, white with black inscription Optional with red marking, special scale upon request	
Pointer:	Pure aluminium, black	
Mounting:	Stand-alone, upon request for flush mounting with DIN mounting flange	
Weights:	without filling	approx. 0.5 kg
	with filling	approx. 0.8 kg

Process connection

Design:	Per EN 837-1, G 1/2 B or 1/2" NPT. Bottom or back centric connection, option: eccentric back connection. Further process connections upon request.
---------	---

Material wetted parts

Measuring element:	Bourdon tube and shanks stainless steel mat.-no. 1.4571 / 1.4404 (316Ti / 316L)
--------------------	---

Nominal range

See order details, further ranges upon request

Overload protection:	Standard: 1.3times Optional: Measuring range up to 160 bar: 1.5 times
----------------------	--

Accuracy

Accuracy class:	1.0 per EN 837-1
Temperature influence:	Max. ± 0,4% / 10K of measuring span per EN 837-1

Temperature ranges

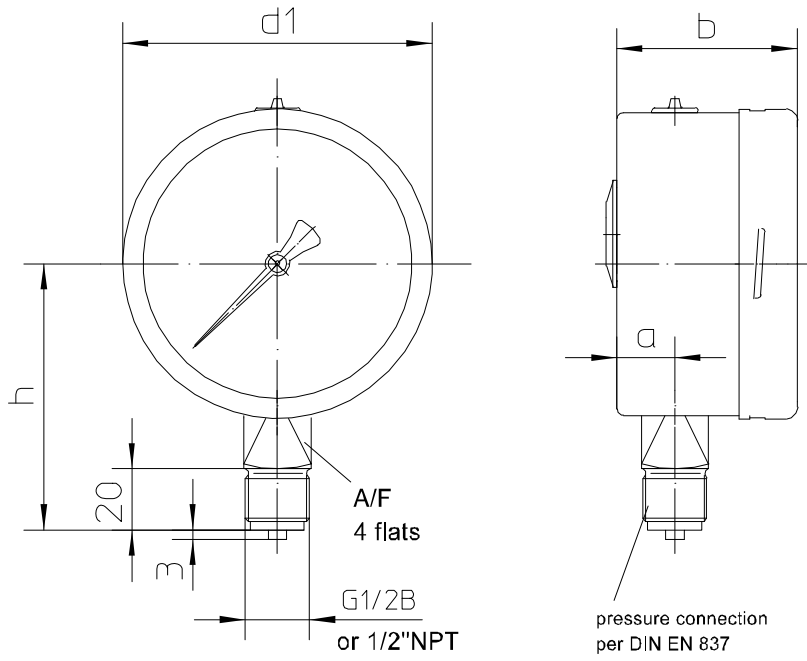
	without filling	with filling
Ambient:	-20...60 °C	-20...60 °C
Media:	-20...150 °C	-20...100 °C
Storage:	-40...70 °C	-40...70 °C

Extended temperature range upon request.

Tests and certificates

Information on other models see order details or upon request.

Dimensions



Dimensions (mm)

Case	d_1	a	b	e	h	c	A/F
NS 100	101	15.6	49	34.5	86	34	22

Order details

Bourdon tube pressure gauge NS 100 per EN 837-1 stainless steel industrial design, , Type series BA52 . .

Order details BA52...			
BA5200	case design	NS 100, degree of protection IP 65	process connection bottom
BA5210			process connection back
BA5220		NS 100, degree of protection IP 65 with case filling	process connection bottom
BA5230			process connection back
A2...	process connection	G1/2 B	
B2...		1/2" NPT	
085	nominal range	-0.6...0	
086		-1...0	
087		-1...0.6	
088		-1...1.5	
089		-1...3	
090		-1...5	
091		-1...9	
092		-1...15	
093		-1...24	
052		0...0.6	
053		0...1	
054		0...1.6	
055		0...2.5	
056		0...4	
057		0...6	
058		0...10	
059		0...16	
060		0...25	
061		0...40	
062		0...60	
063		0...100	
064		0...160	
065		0...250	
066		0...400	
068		0...600	
070		0...1000	

Additional features (to be indicated if required)			
H4	overload protection	1.5 times	
I2	pointer	with micro adjustment	
R11	window	Makrolon	
R2		non-splintering glass with maximum pointer	
R3		non-splintering glass with adjustable reference pointer	
R12		Macrolon with maximum pointer	
R13		Macrolon with adjustable reference pointer	
T2	marking	on scale (please specify)	
T3		fast reference pointer (please specify)	
U2	system damping	restrictor screw 0.3 mm	
U3		restrictor screw 0.6 mm	
U4		restrictor screw 1.0 mm	
R61	position of process connection	9 o'clock	without case filling
R62		3 o'clock	
R63		12 o'clock	
V3	mounting	front flange for flush mounting	
W1204	calibration certificate	per EN 10204-3.1, 3 measuring points	
W1201		per EN 10204-3.1, 5 measuring points	
W2660	as per UKCA regulations		

Order code (example): BA5200 – A2057 – ...